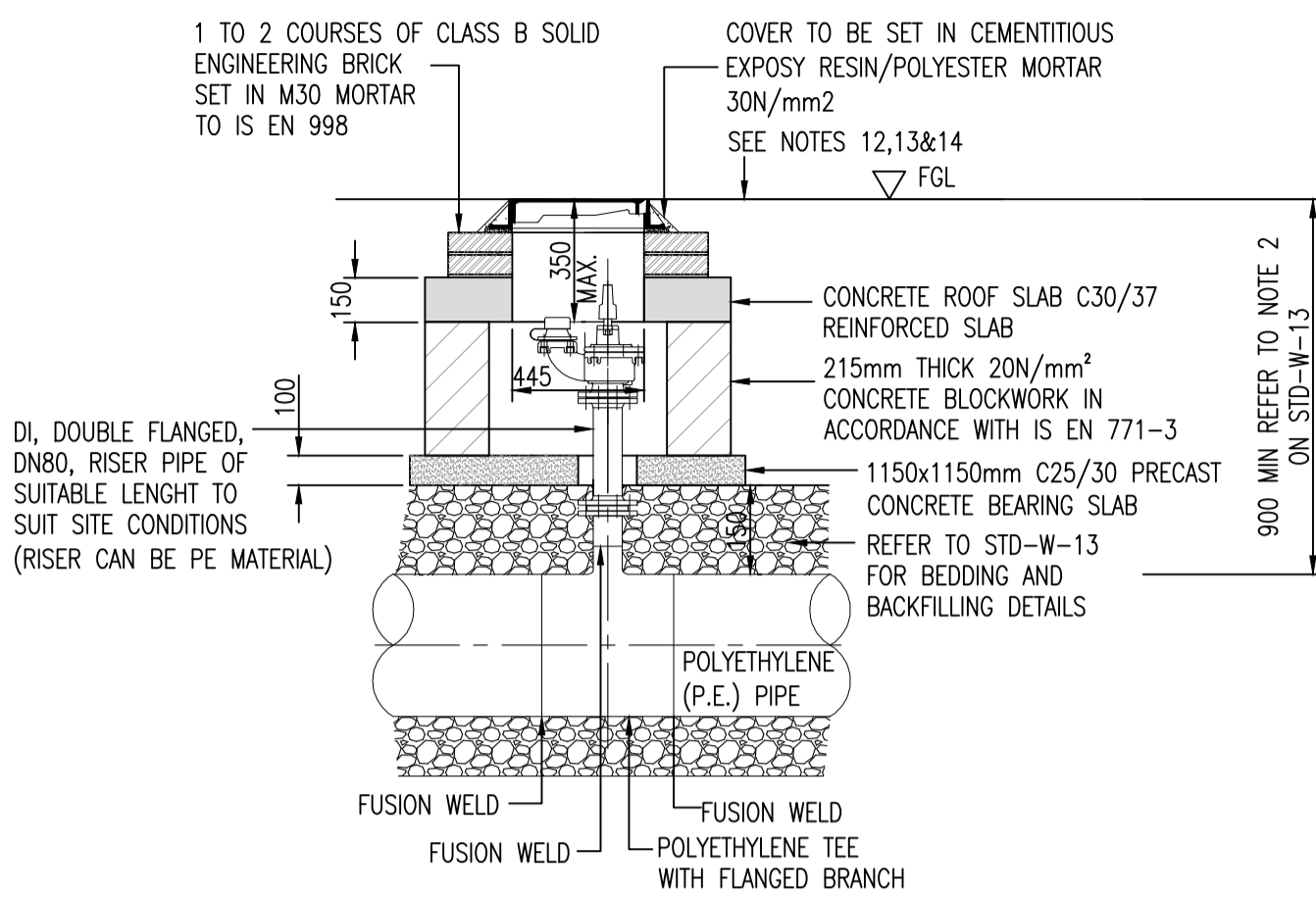
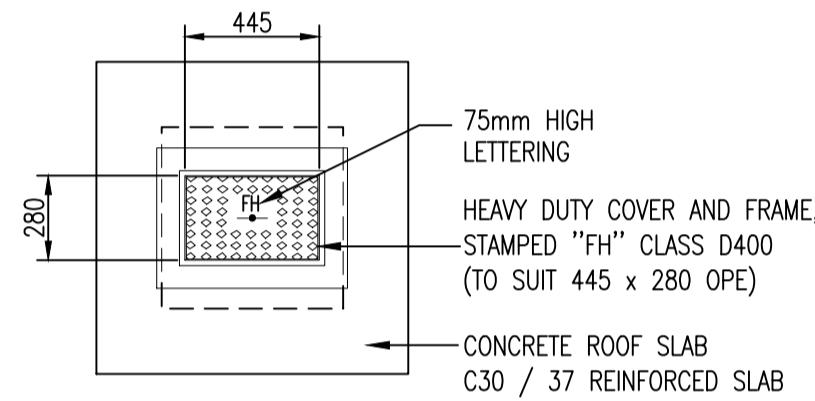


**NOTES:**

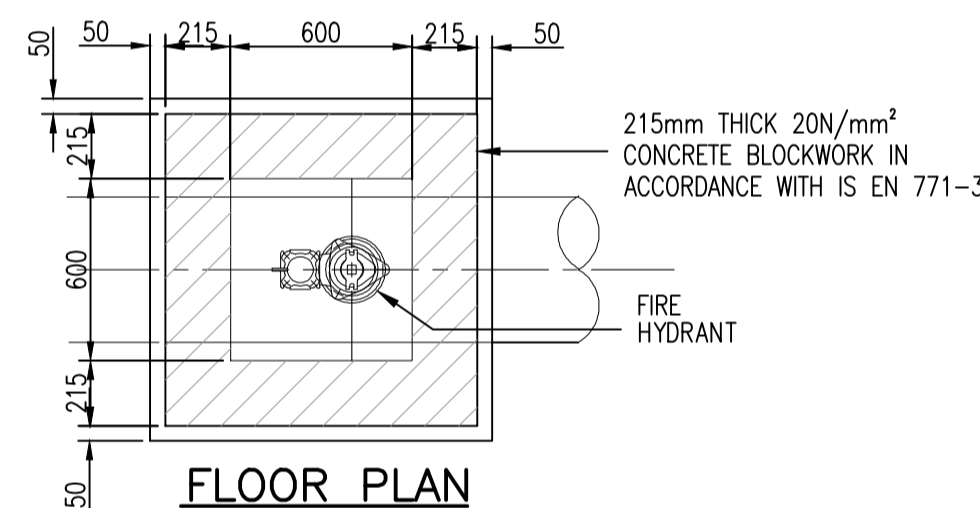
- DO NOT SCALE. USE FIGURED DIMENSIONS ONLY.
- THIS DRAWING IS TO BE READ IN CONJUNCTION WITH ALL OTHER RELEVANT ARCHITECTURAL AND ENGINEERING DRAWINGS.
- WATERMANS SHALL BE LAID IN ACCORDANCE WITH THE LOCAL AUTHORITY / IRISH WATER SPECIFICATION FOR THE LAYING OF NEW WATERMANS AND BYLAWS WHICH OVER-RIDE THESE NOTES. THE CONSTRUCTION OF THE WATERMAIN SHALL BE IN ACCORDANCE WITH THE BEST CURRENT PRACTICE AND THE LATEST EDITIONS OF THE RELEVANT STANDARDS AND CODES OF PRACTICE.
- WATERMANS SHALL NOT BE LAID UNDER WALLS OR AREAS DESIGNATED FOR TREES/SHRUBS/FLOWERS.
- PIPES SHALL BE HDPE (BLUE PIPE) UNLESS NOTED OTHERWISE BY AGREEMENT WITH THE LOCAL AUTHORITY. DUCTILE IRON PIPES SHALL BE USED UNDER ROADS OF CLASSIFICATION "DISTRICT DISTRIBUTOR" UPWARDS UNLESS NOTED OTHERWISE.
- PIPES SHALL CONFORM TO THE UK WATER INDUSTRY SPECIFICATION OR EQUIVALENT E.U. SPECIFICATION.
- DUCTILE IRON (DI) PIPES SHALL CONFORM TO IS EN 545 AND SHALL HAVE MINIMUM C40 PRESSURE RATING. DUCTILE IRON FITTINGS SHALL HAVE 16 BAR RATING AT LEAST DI PIPEWORK SHALL BE COATED INTERNALLY WITH A BLAST FURNACE CEMENT LINING WHICH COMPRISES WITH THE REQUIREMENTS OF BS 6920. EXTERNAL PROTECTION SHALL INCLUDE AN ALLOY OF ZINC AND ALUMINIUM WITH A MINIMUM 15% ALUMINIUM WITH OR WITHOUT OTHER MATERIALS HAVING A MASS OF 400g/m<sup>2</sup> COMPETE WITH A FINISHING LAYER OF BLUE FUSION BONDED EPOXY IN ACCORDANCE WITH IS EN 14901.
- WATERMANS SHALL BE LAID UNDER FOOTPATHS PREFERABLY OR GRASS MARGINS WHERE APPROVED. NO PIPE, CONDUIT, CABLE OR OTHER SERVICE SHALL BE LAID LONGITUDINALLY OVER THE LINE OF A WATERMAIN. NO CABINET POLES, JUNCTION BOXES OR CHAMBERS SHALL BE CONSTRUCTED OVER A WATERMAIN.
- THE MINIMUM COVER TO A WATERMAIN SHALL BE 750mm, THE MAXIMUM COVER SHALL BE 900mm UNLESS NOTED OTHERWISE.
- CONNECTIONS TO THE MAINS WHICH ARE THE PROPERTY OF THE IRISH WATER CAN BE MADE BY THE IRISH WATER ONLY. NO OTHER PERSON MAY INTERFERE IN ANY WAY WITH THESE MAINS. SUCH CONNECTIONS WILL BE MADE BY IRISH WATER AT THE EXPENSE OF THE PERSONS REQUIRING THEM. THE ESTIMATED COST OF SUCH CONNECTIONS MUST BE LODGED WITH IRISH WATER BEFORE THE WORK IS UNDERTAKEN.
- IT IS THE CONTRACTORS RESPONSIBILITY TO ENSURE THAT ALL WORKS ARE CONSTRUCTED IN ACCORDANCE WITH THE IRISH WATER CODE OF PRACTICE AND STANDARD DETAILS. THE CODE OF PRACTICE AND STANDARD DETAILS ARE AVAILABLE TO DOWNLOAD FROM THE IRISH WATER WEB SITE AT [WWW.IRISHWATER.IE/CONNECTIONS/DEVELOPER-SERVICES/](http://WWW.IRISHWATER.IE/CONNECTIONS/DEVELOPER-SERVICES/) WHERE THE DETAILS CONTAINED ON THIS DRAWING DIFFER FROM THE IRISH WATER CODE OF PRACTICE OR STANDARD DETAILS THIS MUST BE BROUGHT TO THE ATTENTION OF THE ENGINEER IMMEDIATELY. IRISH WATER STANDARDS WILL TAKE PRECEDENCE.



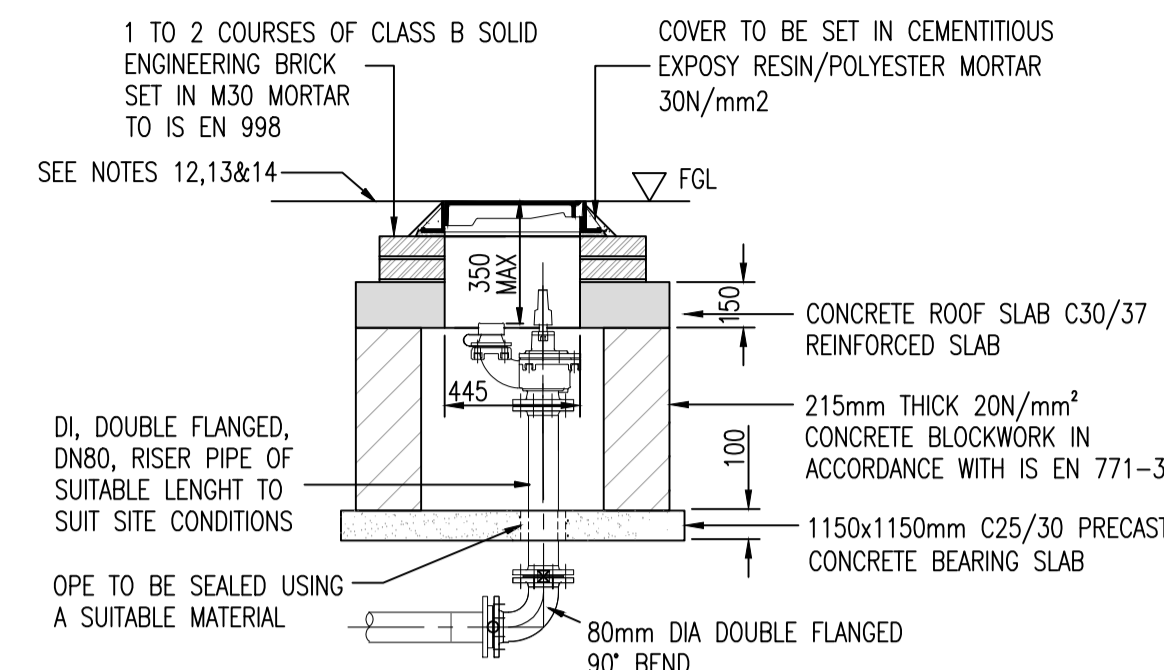
**ON-LINE FIRE HYDRANT CHAMBER SECTION**



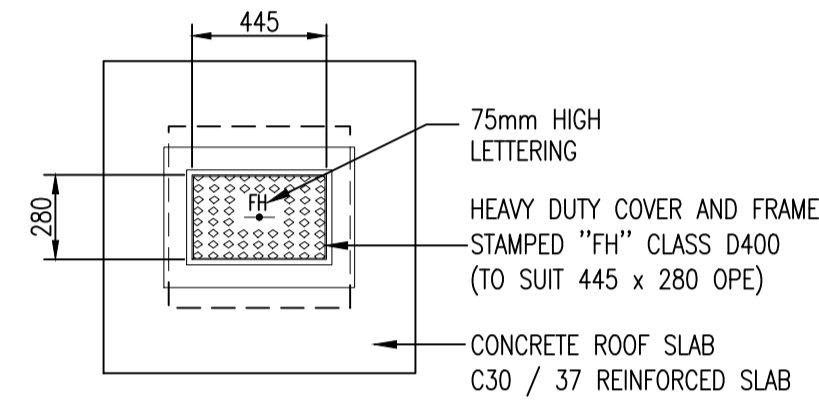
**ON-LINE FIRE HYDRANT CHAMBER ROOF PLAN**



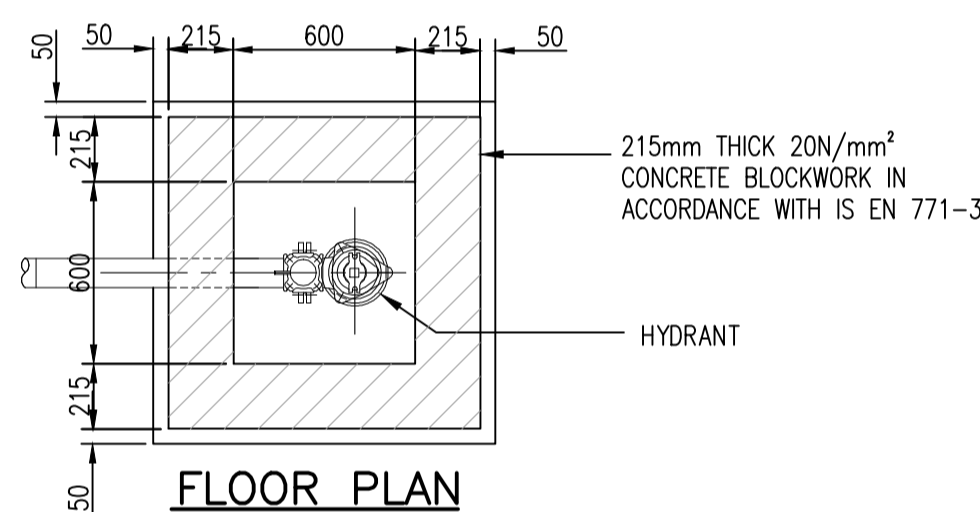
**ON-LINE FIRE HYDRANT CHAMBER (BLOCKWORK CONSTRUCTION) FLOOR PLAN**



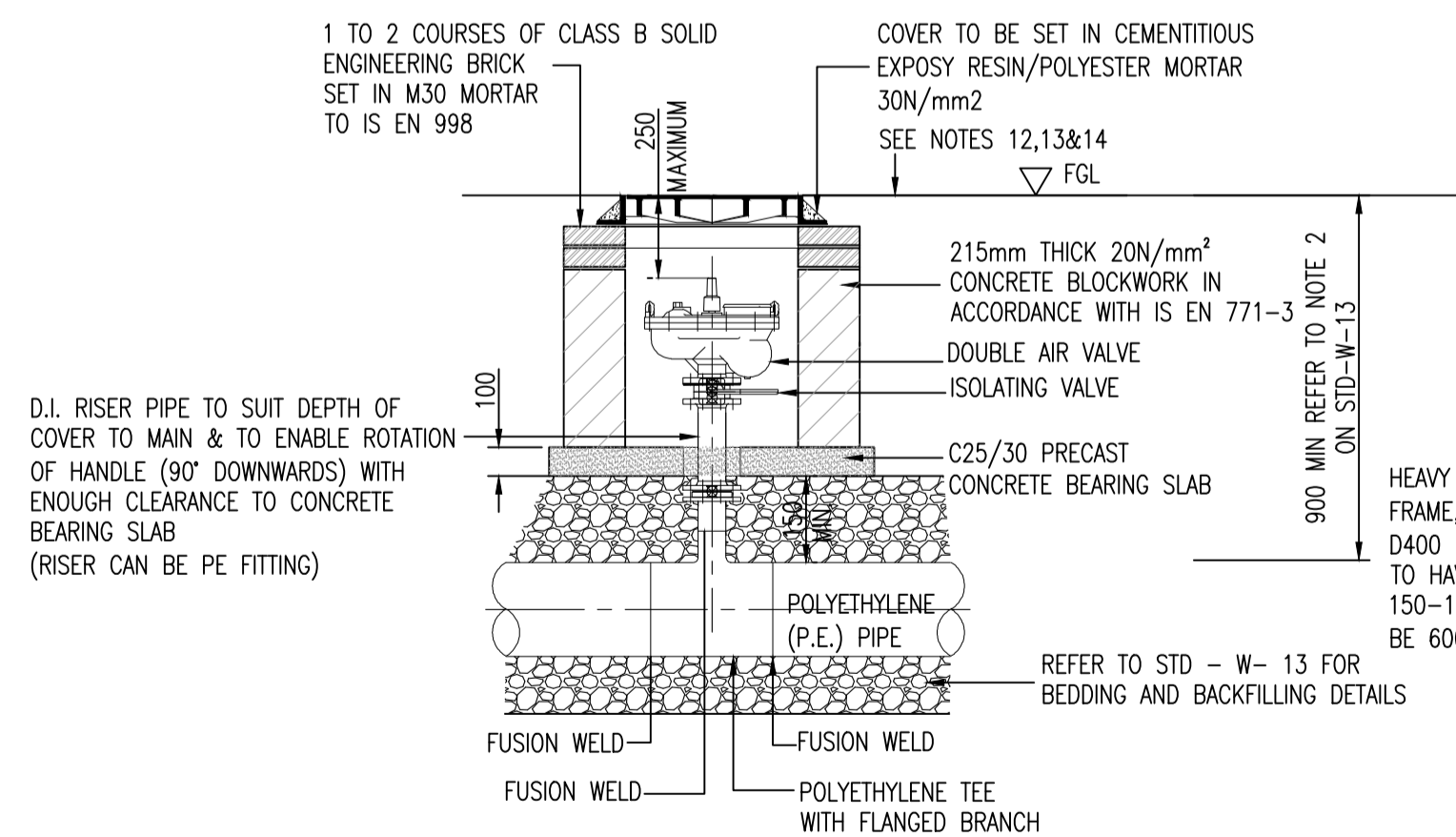
**OFF-LINE FIRE HYDRANT CHAMBER SECTION**



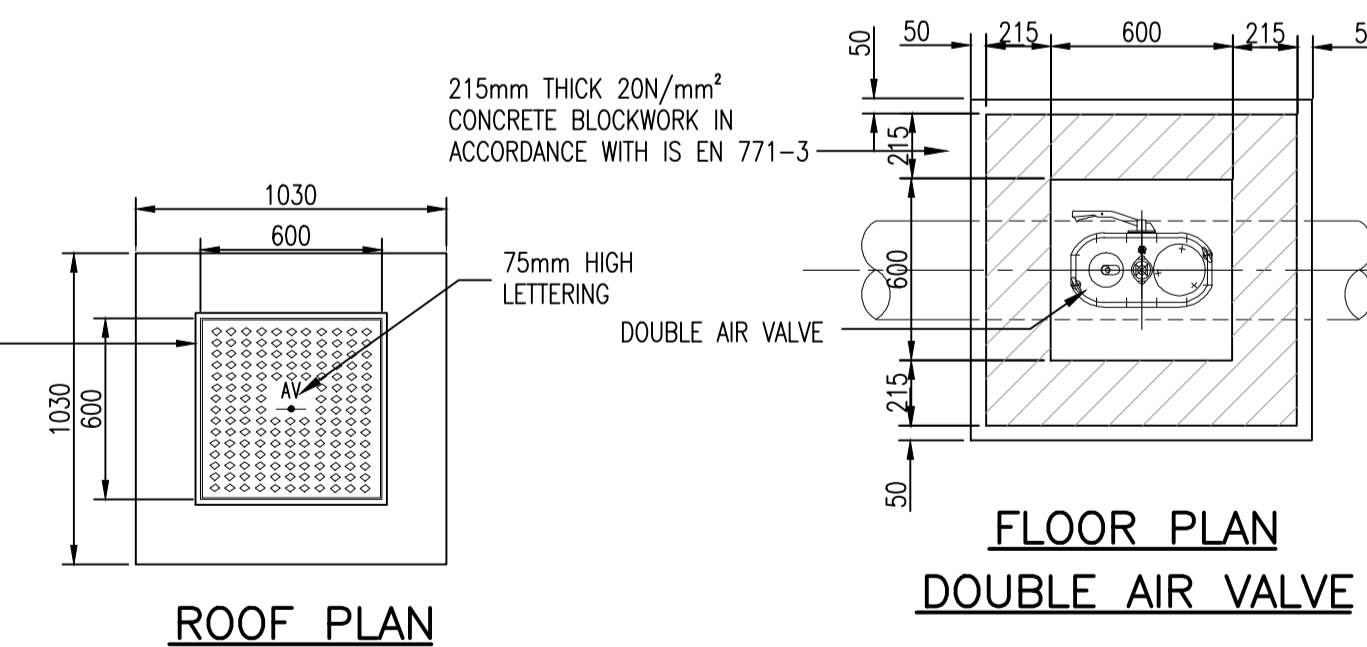
**OFF-LINE FIRE HYDRANT CHAMBER ROOF PLAN**



**OFF-LINE FIRE HYDRANT CHAMBER (BLOCKWORK CONSTRUCTION) FLOOR PLAN**



**SECTION**



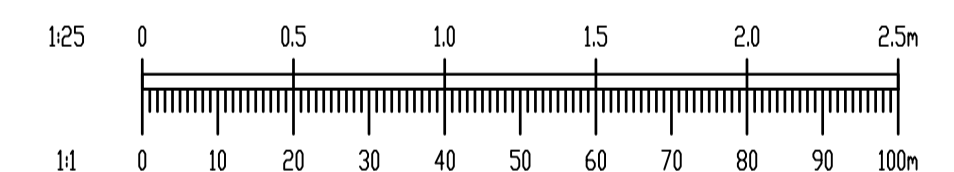
	UP TO 250 (mm)	250 TO 350 (mm)
DIAMETER OF MAIN		
DIAMETER OF BRANCH	80mm	100mm
BORE OF VALVE INLET	80mm	100mm

**HYDRANT NOTES:**

- ALL DIMENSIONS IN MILLIMETRES (mm) UNLESS NOTED OTHERWISE.
- HYDRANT CHAMBERS SHALL BE COVERED WITH APPROVED HEAVY DUTY METAL COVERS TO IS EN 261 AND BS 5834 COVER AND FRAME SHALL BE SUITABLE FOR ROAD AND TRAFFIC CONDITIONS AND IS SUBJECT TO THE APPROVAL OF IRISH WATER.
- ALL HYDRANTS, SURFACE BOX, FRAMES & COVERS SHALL COMPLY WITH THE RELEVANT PROVISIONS OF IS EN 14339, IS EN 107 4-6 & BS 750. FIRE HYDRANT SHALL BE TYPE 2. THE HYDRANT INLET SHALL BE 80mm DIAMETER WITH FN16.
- ALL HYDRANTS SHALL BE CLOCKWISE CLOSING.
- HYDRANT CHAMBER TO BE CONSTRUCTED OF PRECAST CONCRETE UNITS OR HIGH DENSITY BLOCKWORK. ALTERNATIVELY PROPRIETARY PREFABRICATED CHAMBER UNITS MAY ALSO BE USED, SUBJECT TO REVIEW BY IRISH WATER. ROOF SLABS SHALL BE DESIGNED TO CARRY ALL LIVE LOADS & DEAD LOADS & CONSIST OF A REINFORCED CONCRETE SLAB OF IN-SITU CONCRETE, GRADE C30/37, WITH A MINIMUM THICKNESS OF 150mm. ALTERNATIVELY, PRE-CAST CONCRETE ROOFS MAY ALSO BE USED, SUBJECT TO IRISH WATER REVIEW & COMPLIANCE WITH IS EN 1917& IS 420. PCC CHAMBER RISER UNITS SHOULD BE INTERLOCKING WHEN STACKED TO PREVENT LATERAL MOVEMENT OF INDIVIDUAL UNITS.
- CONCRETE CHAMBERS SHALL BE SURROUNDED BY A MINIMUM OF 150mm COMPACTED CLAUSE 808 MATERIAL AS PER STD-W-13.
- DUCTILE IRON PIPES AND FITTINGS TO BE IN ACCORDANCE WITH IS EN 545. PE PIPES AND FITTINGS TO BE IN ACCORDANCE WITH IS EN 12201:2011.
- 200mm ALL AROUND, 100mm DEEP CONCRETE PLINTH AROUND COVERS IN GREEN AREAS.
- THRUST BLOCKS (NOT SHOWN ON DRAWING), TO BE PROVIDED AS PER STD-W-28 ALL TEES, BENDS, TAPERS, DEAD ENDS AND PIPES AT STEEP SLOPES.
- ANTI CORROSION TAPE TO BE PROVIDED AROUND BURIED FLANGES.
- ALL CONCRETE TO BE IN ACCORDANCE WITH IS EN 206.
- ANY SPECIAL ROAD REINSTATEMENT AROUND COVER & FRAME SHALL BE TO ROAD AUTHORITY'S REQUIREMENTS.
- NEW ROAD CONSTRUCTION & SURFACE FINISH TO BE TO ROAD AUTHORITY REQUIREMENTS.
- EXISTING ROAD REINSTATEMENT TO COMPLY WITH CURRENT VERSION OF "GUIDELINES FOR MANAGING OPENINGS IN PUBLIC ROADS" BY THE DEPT. OF TRANSPORT, TOURISM & SPORT, OR TRANSPORT INFRASTRUCTURE IRELAND REQUIREMENTS.
- THE FIRE HYDRANT OUTLET TYPE SHALL BE IN ACCORDANCE WITH THE REQUIREMENTS OF THE FIRE OFFICER FOR THE AREA AND SHALL BE AGREED PRIOR TO THE COMMENCEMENT OF WORKS.
- THE HYDRANT SHALL BE DOUBLE FLANGED DRILLED TO PN 16. THEY SHALL COMPLY WITH IS EN 14339, IS EN 1074 PART 6 AND BS 750:2012. THE HYDRANT SHALL INCORPORATE A SCREW DOWN GATE VALVE, UNDERGROUND 'GUIDE TO HEAD' TYPE WITH A FALSE SPINDLE CAP. THE OUTLET SHALL BE IN ACCORDANCE WITH ITEM 15 ABOVE.
- 450x600mm INTERNAL DIMENSION CHAMBER MAY BE PROVIDED SUBJECT TO REVIEW BY IW. SUCH CHAMBERS SHALL BE PROVIDED WITH GRADE 'A' HEAVY DUTY COVER & FRAME & STAMPED 'SV'.

**AIR VALVE NOTES:**

- ALL DIMENSIONS IN MILLIMETRES (mm) UNLESS NOTED OTHERWISE.
- AIR VALVE CHAMBERS SHALL BE COVERED WITH APPROVED VENTILATED HEAVY DUTY METAL COVERS TO IS EN 124: 1994 RATING D400. COVER AND FRAME SHALL BE SUITABLE FOR ROAD AND TRAFFIC CONDITIONS AND IS SUBJECT TO THE APPROVAL OF IRISH WATER.
- AIR VALVES SHALL BE DOUBLE AIR VALVE TYPE WITH ISOLATING VALVE IN ACCORDANCE WITH THE REQUIREMENTS OF IS EN 1074. THE ISOLATING VALVE SHALL BE A RESILIENT SEATED GATE VALVE TO IS EN 1074 AND SHALL BE OF A BOLTLESS BONNET DESIGN.
- THE AIR VALVES SHALL HAVE BODIES AND COVERS OF CAST IRON TO BS 1561 WITH FLANGES DRILLED TO PN 16 IN ACCORDANCE WITH BS EN 1091-1. EACH VALVE SHALL HAVE A LARGE AND A SMALL AIR ESCAPE ORIFICE WITH AN ISOLATING VALVE.
- SERVICE CONNECTIONS SHALL NOT BE PROVIDED WITHIN 2m OF THE AIR VALVE LOCATION.
- AIRVALVE CHAMBERS TO BE OF PRECAST CONCRETE UNITS OR HIGH DENSITY BLOCKWORK. ALTERNATIVE PROPRIETARY PREFABRICATED CHAMBER UNITS MAY ALSO BE USED, SUBJECT TO APPROVAL FROM IRISH WATER.
- PRECAST CONCRETE CHAMBERS SHALL BE SURROUNDED BY A MINIMUM OF 150mm COMPACTED CLAUSE 808 MATERIAL AS PER DRAWING C305.
- DUCTILE IRON PIPES / FITTINGS AND PE PIPES / FITTINGS TO BE IN ACCORDANCE WITH IS EN 545 AND IS EN 12201:2011.
- 200mm ALL AROUND, 100mm DEEP CONCRETE PLINTH WITH PROTECTIVE STAINLESS STEEL METAL BAND AROUND COVERS IN GREEN AREAS.
- THRUST BLOCKS (NOT SHOWN ON DRAWING), TO BE PROVIDED AS PER STANDARD DRAWING C307 AT ALL TEES, BENDS, TAPERS, DEAD ENDS AND PIPES AT STEEP SLOPES.
- ANTI CORROSION TAPE TO BE PROVIDED AROUND BURIED FLANGES.
- THE LOCATION OF THE AIR VALVE SHALL BE THE SUBJECT OF PARTICULAR AGREEMENT WITH IRISH WATER TO ENSURE THAT THE RISK OF CONTAMINATION THROUGH THE VALVE IS ELIMINATED.
- ALL CONCRETE TO BE IN ACCORDANCE WITH IS EN 206.



REV.	DATE	AMENDMENT	DRN	APPD
A	11/04/22	FINAL SHD SUBMISSION	PJD	MD

STATUS **FOR PLANNING NOT FOR CONSTRUCTION**

**Waterman Moylan**  
Engineering Consultants  
BLOCK 8, EASTPOINT BUSINESS PARK, ALFIE BYRNE ROAD, DUBLIN D03 H3F4 IRELAND.  
Tel: (01) 664 8900 Fax: (01) 661 3618  
Email: [info@waterman-moylan.ie](mailto:info@waterman-moylan.ie) [www.waterman-moylan.ie](http://www.waterman-moylan.ie)

CLIENT **BIRCHWELL DEVELOPMENTS LTD**  
ARCHITECT **McCROSSAN O'ROURKE MANNING ARCHITECTS**

PROJECT **BROOMFIELD SHD**

TITLE **WATERMAIN CONSTRUCTION DETAILS SHEET 3 OF 4**

DRAWN	DESIGNED	APPROVED	DATE
PJD	RW	MD	NOV '20
SCALE	JOB NO.	DRG. NO.	REVISION
1:25 @ A1	18-091	P312	A